

TOX®-BatteryTong MBT-C

Data sheet 90.15

2023 / 04



Subject to technical changes.

Home screen

Product description

The TOX®-BatteryTong is designed as mobile hand tong with low weight and simultaneous joining forces. The clinching tong for joining sheet metal is a cost-effective solution of manually operable machines in the product range of TOX® PRESSOTECHNIK.

1. C-bow
2. Die
3. Punch
4. Safety eyelet
5. Drive
6. Return stroke button
7. Forward stroke button
8. Battery



Properties and advantages

- Mobile, portable and cordless clinching tong
- Universal and flexible field of application
- Robust and well-established technology
- Well-known TOX®- clinching technology
- Low weight at high joining forces
- Simple operation

Technology



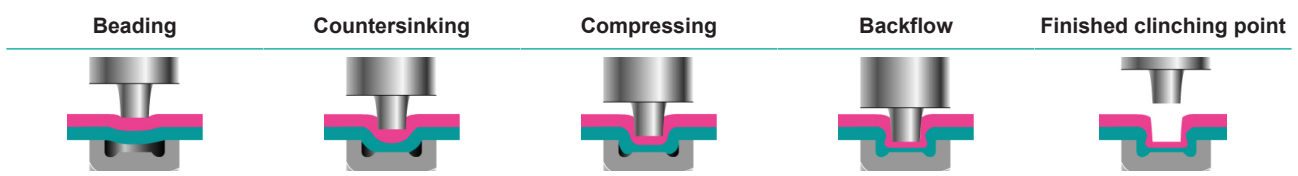
The TOX®-BatteryTong makes possible a wide selection of joining connections of different material and metal thicknesses. We would be pleased to make a test report available to you that is suitable for your application.

Target branches and fields of application

Vehicle manufacturing, white goods, air-conditioning technology, metal sheet processing, mechanical engineering, research and development.

Pilot series production, prototype manufacture, assembly plants, construction sites, repair solutions, small-batch manufacture, outside of production halls.

TOX®-Clinching process

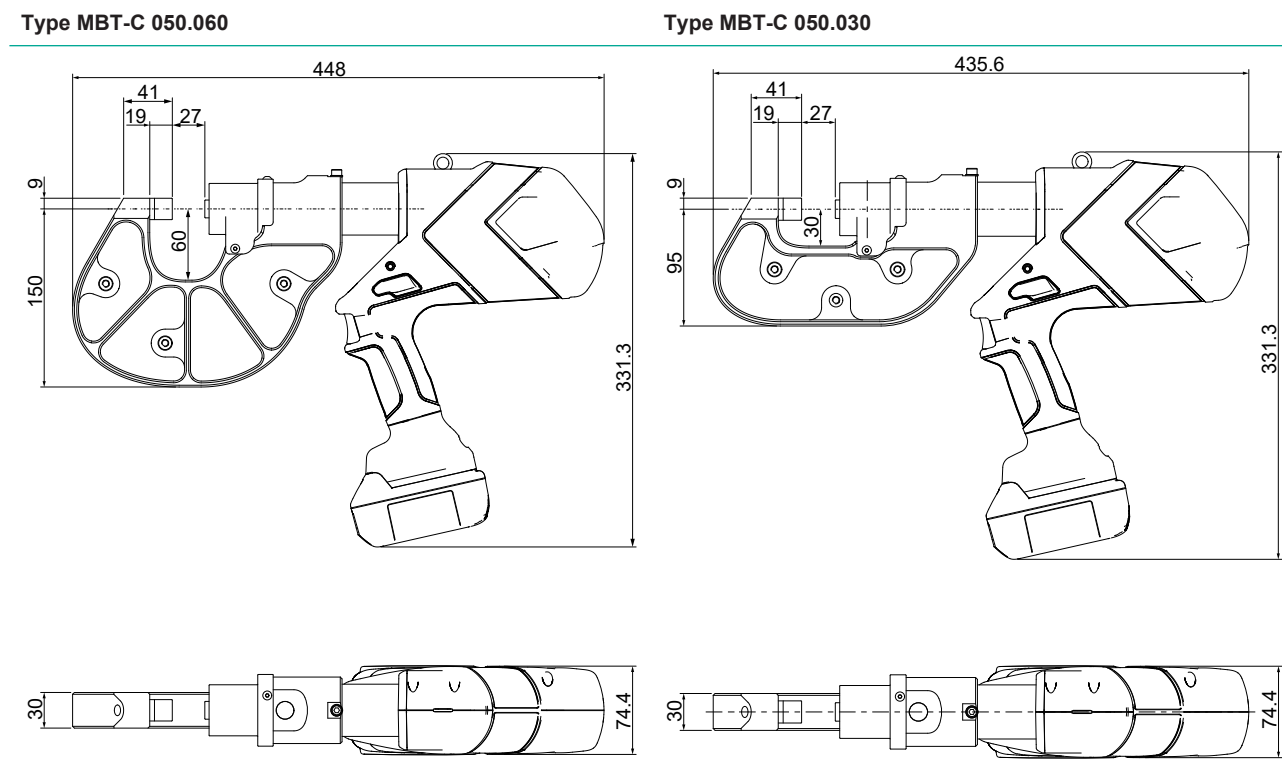


Technical data

Models and details

Parameters	Type MBT-C 050.060	Type MBT-C 050.030
Press force	10 kN - 50 kN	
Press force setting	Adjustable via the display on the drive	
Press force precision	+/- 1 kN	
Preload force (with 2 mm preload travel)	1300 N	
Spring rate of the elastomer spring (CZF)	670 N/mm	
Data interface	Bluetooth interface	
Performance data of battery	Li-Ion 18V 4.0Ah	
Total stroke	Approx. 40 mm	
Speed of fast approach stroke / power stroke	Max. 10 mm/s / min. 1 mm/s	
Number of clinching points	Approx. 400 clinching points per battery charge	
Clinching point diameter	5 mm to 12 mm	
Minimum / maximum metal thickness	2 x 0.5 mm / 2 x 3 mm	
Maximum penetration depth of the punch	7.5 mm	
Rotation angle of bow around servo drive	360 °	
Bow opening / throat depth	27 mm / 60 mm	27 mm / 30 mm
Weight (drive with tool)	approx. 7.3 kg	approx. 6.6 kg

Dimensions



Scope of supply

Set consisting of



- Plastic case including foam lining



- Drive
- Frame
- Clinching tools



- Li-Ion battery



- Battery charger

Optional accessories



- Additional Li-Ion battery



- X-dimension button